



Safety Instructions



0, 1, 2, 4, 6, 7, 9, 11,
15, 18, 25, 26, 27



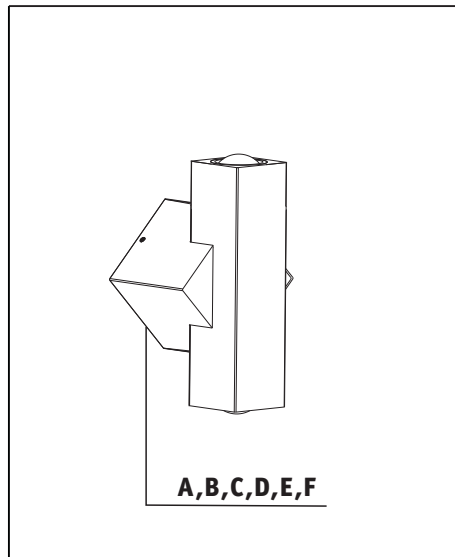
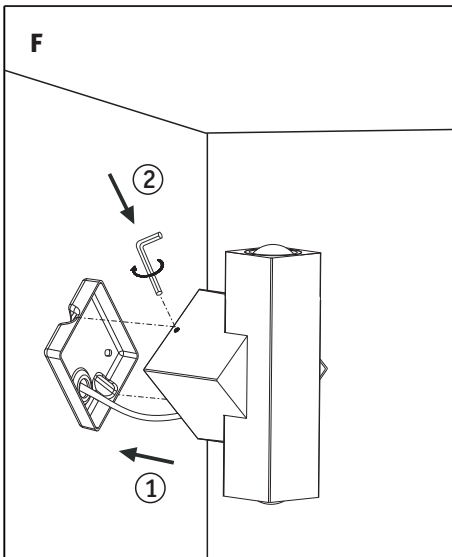
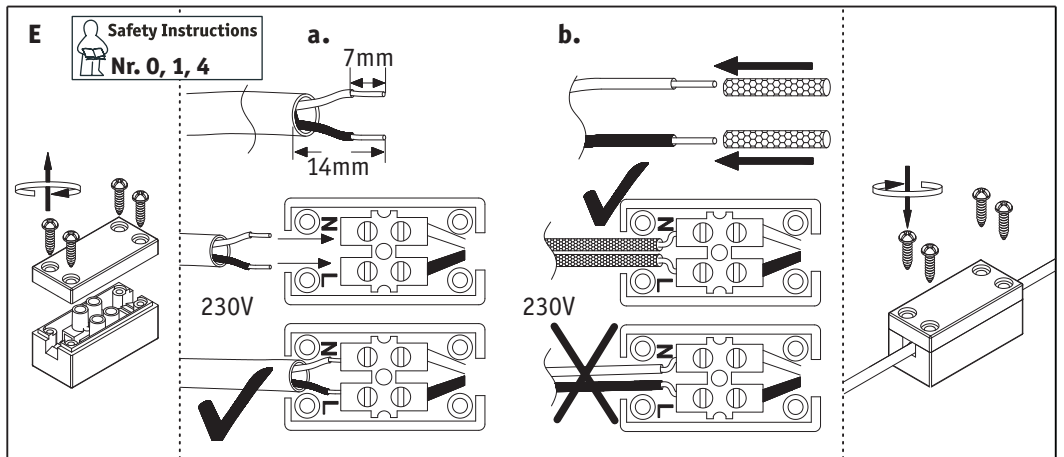
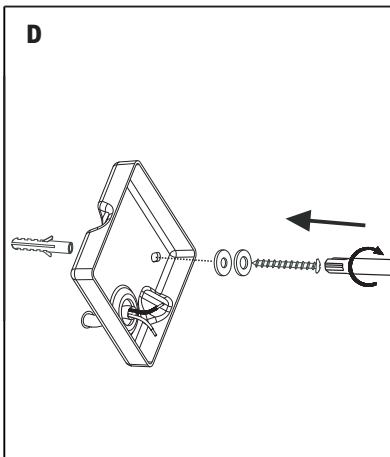
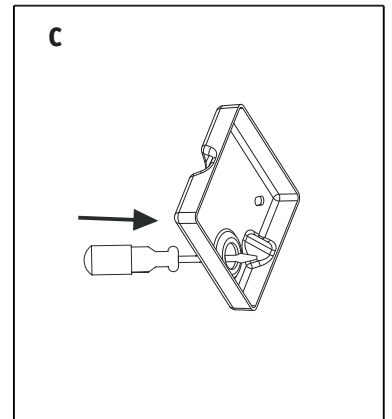
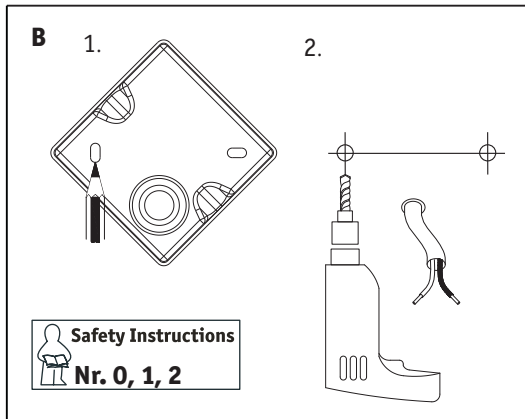
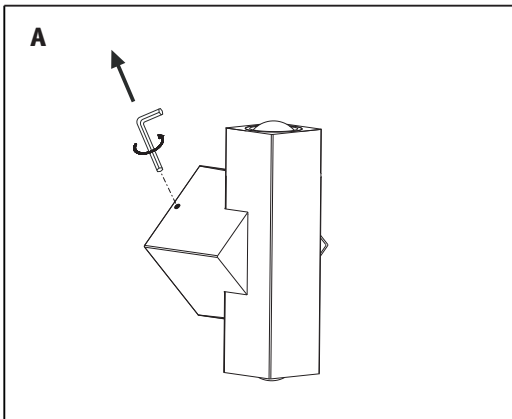
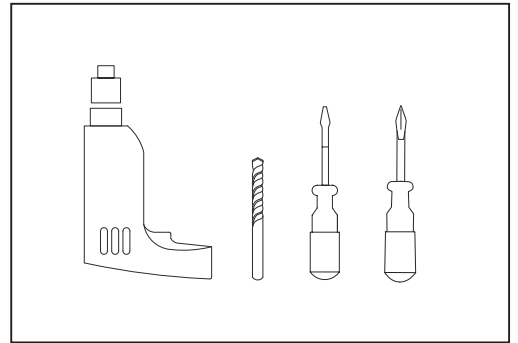
Info Hotline +49 (0) 5041 998 389

Mon. - Do. 7⁰⁰ - 20⁰⁰
Fr. 7⁰⁰ - 17⁰⁰

Paulmann Licht GmbH
31832 Springe / Germany
www.paulmann.com

Art.-Nr.:
937.78
937.95
180.05
180.06
(+MA 173)
PKE 01/16

937.78 2x1W	180.05 2x3.2W	 IP44	937.95 1x1W	180.06 1x3.2W
1x			incl.	



A, B, C, D, E, F

